

Yalelift 360[®] MK III 'INTEGRAL' TROLLEY HOISTS

Hand chain hoist with integrated push or geared travel trolley

Capacities: 500 - 20000kg

The combination of the Yalelift 360 with a low headroom manual trolley provides even more flexibility in the application of the Yalelift 360.

Features include:

- All units of this series up to a capacity of 3000 kg are provided with single chain fall and the min. headroom (Dim. A) has been further reduced. Ideal for applications with low ceilings and limited headroom.
- The proven and almost stepless adjustment system allows quick and easy assembly of the trolley.
- Trolleys up to 5000kg are offered for two beam ranges. Range A for a flange width up to 180 mm is standard and covers approx. 80 % of all requirements. Conversion to range B for beam width up to 300 mm can be easily accomplished.
- The trolley wheels are designed for a max. beam profile incline of 14 % (DIN 1025 - part 1), excellent rolling features are guaranteed by prelubricated, encapsulated ball bearings.
- Anti-drop and anti-tilt devices as standard.

Options:

- Overload prevention device.
- Chain container.
- Rubber buffers (shown in photograph on the right available as optional extra).
- Explosion proof version (see page 18-19).
- Beam locking device to secure the unloaded trolley in a fixed position on the beam (park position e.g. on ships). Available up to a capacity of 5000 kg.



Protection classification

II 2 GD c IIB T4 T 130° C

Further details on pages 18 & 19



Yalelift ITP INTEGRAL 'PUSH' TROLLEY HOISTS

Model	Capacity (WLL) kg	Falls of load chain	Lifting height mtr	Curve radius min. m	Beam width mm	Closed height mm	Weight @ 3mtr HOL kg	Standard finish		Corrosion resistant	
								3mtr HOL price £	Add. HOL £/mtr	3mtr HOL price £	Add. HOL £/mtr
YLITP A 500	500	1	3	0.9	50 - 180	245	20	£346	£21	£604	£59
YLITP B 500	500	1	3	0.9	180 - 300	245	21	£386	£21	£644	£59
YLITP A 1000	1000	1	3	0.9	50 - 180	272	27	£408	£21	£682	£59
YLITP B 1000	1000	1	3	0.9	180 - 300	272	29	£448	£21	£722	£59
YLITP A 2000	2000	1	3	1.15	58 - 180	323	44	£507	£24	£852	£62
YLITP B 2000	2000	1	3	1.15	180 - 300	323	46	£549	£24	£894	£62
YLITP A 3000	3000	1	3	1.5	74 - 180	382	77	£719	£30	-	-
YLITP B 3000	3000	1	3	1.4	180 - 300	382	79	£762	£30	-	-
YLITP A 5000	5000	2	3	2.0	98 - 180	550	125	£1085	£50	-	-
YLITP B 5000	5000	2	3	1.8	180 - 300	550	129	£1145	£50	-	-

Yalelift ITG INTEGRAL 'GEARED' TROLLEY HOISTS

Model	Capacity (WLL) kg	Falls of load chain	Lifting height mtr	Curve radius min. m	Beam width mm	Closed height mm	Weight @ 3mtr HOL kg	Standard finish		Corrosion resistant	
								3mtr HOL price £	Add. HOL £/mtr	3mtr HOL price £	Add. HOL £/mtr
YLITG A 500	500	1	3	0.9	50 - 180	245	24	£412	£31	£686	£107
YLITG B 500	500	1	3	0.9	180 - 300	245	25	£452	£31	£726	£107
YLITG A 1000	1000	1	3	0.9	50 - 180	272	34	£475	£31	£765	£107
YLITG B 1000	1000	1	3	0.9	180 - 300	272	33	£515	£31	£805	£107
YLITG A 2000	2000	1	3	1.15	58 - 180	323	49	£574	£34	£935	£110
YLITG B 2000	2000	1	3	1.15	180 - 300	323	50	£616	£34	£977	£110
YLITG A 3000	3000	1	3	1.5	74 - 180	382	82	£778	£40	£1147	£116
YLITG B 3000	3000	1	3	1.4	180 - 300	382	84	£821	£40	£1190	£116
YLITG A 5000	5000	2	3	2.0	98 - 180	550	130	£1154	£60	£1674	£136
YLITG B 5000	5000	2	3	1.8	180 - 300	550	134	£1214	£60	£1734	£136
YLITG B 10000	10000	3	3	1.8	125 - 310	784	on request	£3068	£95	£4353	£171
YLITG B 20000	20000	6	3	5.0	180 - 310	on request	on request	£4633	£190	£6088	£256



Depicted rubber buffers optionally available.

Hand chain hoist with integrated push or geared type trolley model Yalelift IT

Capacity 500 - 20000 kg

The combination of the Yalelift 360 with a low headroom manual trolley provides even more flexibility in the application of the Yalelift 360.

Features

- All units of this series up to a capacity of 3000 kg are provided with single chain fall and the min. headroom (Dim. A) has been further reduced. Ideal for applications with low ceilings and limited headroom.
- The proven and almost stepless adjustment system allows quick and easy assembly of the trolley.
- Trolleys up to 5t are offered for two beam ranges. Range A for a flange width up to 180 mm is standard and covers approx. 80 % of all requirements. Conversion to range B for beam width up to 300 mm can be easily accomplished.
- The trolley wheels are designed for a max. beam profile incline of 14 % (DIN 1025 - part 1), excellent rolling features are guaranteed by prelubricated, encapsulated ball bearings.
- Anti-drop and anti-tilt devices as standard.

Options

- Adjustable overload prevention device.
- Stainless steel load and hand chains.
- Chain container
- Rubber buffers
- Corrosion resistant version
- Explosion proof version
- Beam locking device to secure the unloaded trolley in a fixed position on the beam (park position e.g. on ships). Available up to a capacity of 5000 kg.



Available in explosion proof version.

Technical data model Yalelift IT

Model	EAN-No. 4025092*	Capacity in kg/ number of chain falls	Size	Beam flange width b	Beam flange thickness t max.	Curve radius min.	Weight at standard lift (3 m) - P	Weight at standard lift (3 m) - G	Weight at standard lift (3 m) with locking device - P kg	Weight at standard lift (3 m) with locking device - G kg
				mm	mm	m	kg	kg		
YLIT 500	*288255	500/1	A	50 - 180	19	0.9	20	24	26	31
YLIT 500	-	500/1	B	180 - 300	19	0.9	21	25	27	32
YLIT 1000	*292221	1000/1	A	50 - 180	19	0.9	27	32	35	40
YLIT 1000	-	1000/1	B	180 - 300	19	0.9	29	33	37	41
YLIT 2000	*291798	2000/1	A	58 - 180	19	1.15	44	49	52	57
YLIT 2000	-	2000/1	B	180 - 300	19	1.15	46	50	54	58
YLIT 3000	*291804	3000/1	A	74 - 180	27	1.5	77	82	86	91
YLIT 3000	-	3000/1	B	180 - 300	27	1.4	79	84	88	93
YLIT 5000	*291828	5000/2	A	98 - 180	27	2.0	125	130	135	140
YLIT 5000	-	5000/2	B	180 - 300	27	1.8	129	134	139	144
YLIT 10000	*080996	10000/3	B	125 - 310	40	1.8	-	on request	-	on request
YLIT 20000**	*172325	20000/6	B	180 - 310	40	5.0	-	on request	-	on request

**Dimensions on request

P in connection with weight = with pushed trolley

G in connection with weight = with geared trolley



Chain guide



High quality encapsulated ball bearings and sliding bushes for smooth and effortless operation.



The robust stamped steel housing with four stay bolts is resistant to the toughest working conditions.



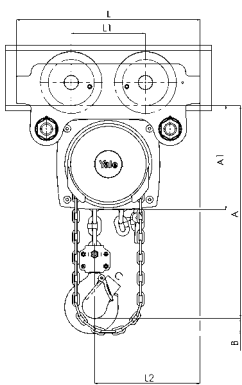
The precisely machined load sheave ensures accurate movement of the load chain.

! Yale hoists and trolleys are not designed for passenger elevation applications and must not be used for this purpose.

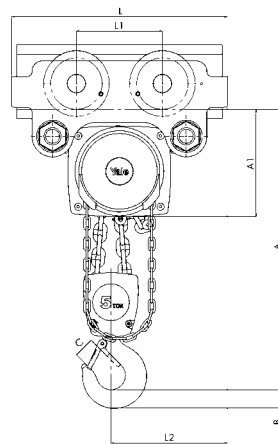
Hoisting Equipment Hand chain hoists

Dimensions model Yalelift IT

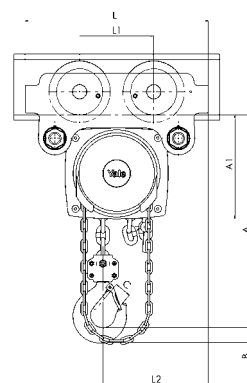
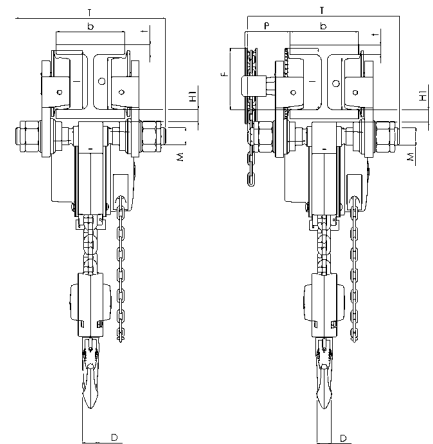
Model	YLIT 500	YLIT 1000	YLIT 2000	YLIT 3000	YLIT 5000	YLIT 10000
A min., mm	245	272	323	382	550	784
A1, mm	158	178	205.5	252	260.5	380
A2, mm	-	-	-	-	-	-
B, mm	17	22	30	38	45	68
C, mm	24	29	35	40	47	68
D, mm	14	19	22	30	37	50
F (Geared trolley), mm	92	92	91	107	149.5	113
H1, mm	24.5	24	23.5	32	30.5	55
I (Pushed trolley), mm	71.5	71.5	95.5	131	142.5	169
I (Geared trolley), mm	76.5	76.5	98	132.5	148.5	169
L, mm	270	310	360	445	525	430
L1, mm	130	130	150	180	209	200
L2, mm	159	175	207	256	283	261
L3, mm	-	-	-	-	-	-
L4, mm	-	-	-	-	-	-
M, mm	M18	M22	M27	M30	M42	M48
O, mm	60	60	80	112	125	150
P (Geared trolley), mm	108	110	112	112	117	158
T (Area A), mm	280	290	305	320	364	-
T (Area B), mm	400	410	425	440	484	540



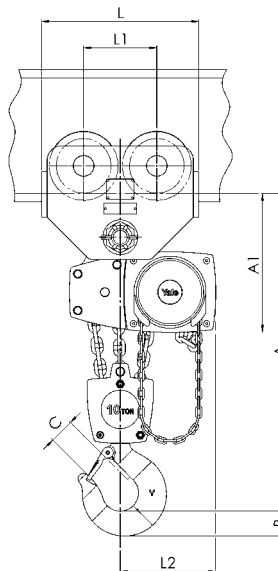
Model Yalelift ITP, 500 - 3000 kg, single fall



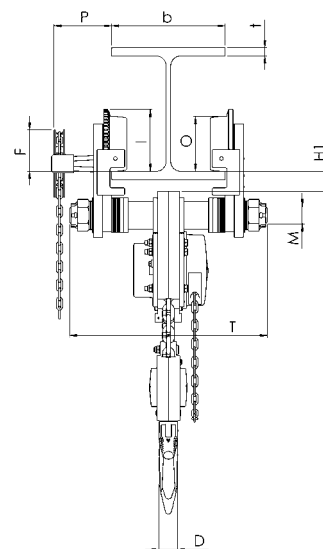
Model Yalelift ITP/ITG, 5000 kg, double fall



Model Yalelift ITG, 500 - 3000 kg, single fall



Model Yalelift ITG, 10000 kg, three fall



Hand chain hoist with integrated push or geared type trolley (low headroom) model Yalelift LH

Capacity 500 - 10000 kg

The hand chain hoist model Yalelift LH with integrated low headroom manual trolley is the consequent further development of the Yalelift IT. Wherever an even smaller headroom is essential, the Yalelift LH is the ideal choice.

Features

- The specially developed chain reeving system and chain guide allow the bottom block to be pulled laterally to the hoist even further up and almost against the beam flange.
- The integrated design of the innovative Yalelift LH uses the same manual trolleys as incorporated in the Yalelift IT series.
- All models of the LH series up to 3000 kg capacity are provided with single chain fall.
- The proven and almost stepless adjustment system allows quick and easy assembly of the trolley.
- The trolleys up to 5t are offered for two beam ranges. Range A for a flange width up to 180 mm is standard and covers approx. 80 % of all requirements. Conversion to range B for beam width up to 300 mm can be easily accomplished.
- The trolley wheels are designed for a max. beam profile incline of 14% (DIN 1025 - part 1), excellent rolling features are guaranteed by prelubricated, encapsulated ball bearings.
- The low headroom version of the Yalelift IT is adjustable to fit a wide range of beam profiles (e.g. INP, IPE, IPB).
- Anti-drop and anti-tilt devices as standard.
- Excellent rolling features due to machined steel wheels mounted on pre-lubricated, encapsulated ball bearings.

Options

- Adjustable overload prevention device.
- Stainless steel load and hand chains.
- Chain container
- Corrosion resistant version
- Explosion proof version
- Beam locking device to secure the unloaded trolley in a fixed position on the beam (park position e.g. on ships). Available up to a capacity of 5000 kg.



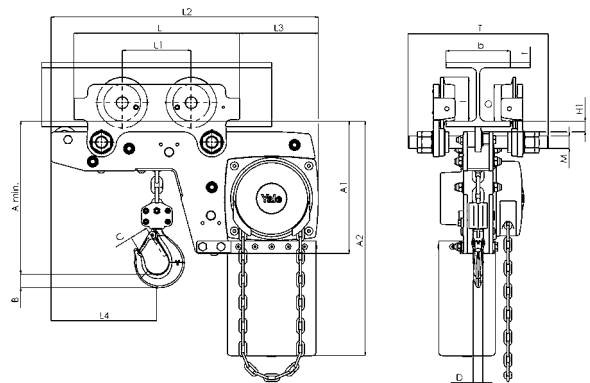
Available in explosion proof version.

Technical data model Yalelift LH

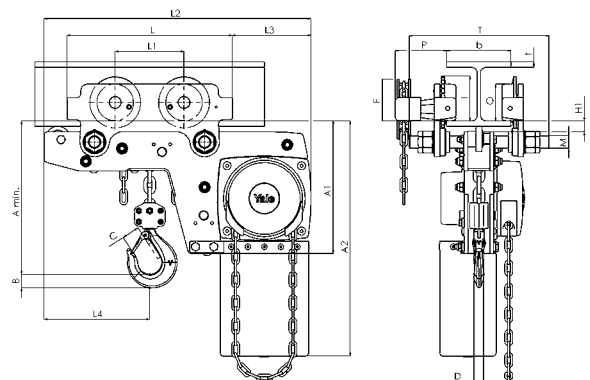
Model	EAN-No. 4025092*	Capacity in kg/ number of chain falls	Size	Beam flange width b	Beam flange thickness t max.	Curve radius min.	Weight at standard lift (3 m) - P	Weight at standard lift (3 m) - G	Weight at standard lift (3 m) with locking device - P	Weight at standard lift (3 m) with locking device - G
				mm	mm	m	kg	kg	kg	kg
YLLH 500	*293082	500/1	A	60 - 180	19	0.9	27	31	33	38
YLLH 500	-	500/1	B	180 - 300	19	0.9	27	32	34	38
YLLH 1000	*293167	1000/1	A	70 - 180	19	0.9	35	40	43	48
YLLH 1000	-	1000/1	B	180 - 300	19	0.9	36	41	44	49
YLLH 2000	*319676	2000/1	A	82 - 180	19	1.15	61	65	69	73
YLLH 2000	-	2000/1	B	180 - 300	19	1.15	62	67	70	75
YLLH 3000	*319669	3000/1	A	100 - 180	19	1.5	107	112	116	121
YLLH 3000	-	3000/1	B	180 - 300	19	1.4	109	114	118	123
YLLH 5000	*319652	5000/2	A	110 - 180	27	2.0	152	157	162	167
YLLH 5000	-	5000/2	B	180 - 300	27	1.8	156	161	166	171
YLLH 10000	-	10000/3	A	125 - 180	40	1.8	on request	230	on request	on request
YLLH 10000	-	10000/3	B	180 - 310	40	1.8	on request	232	on request	on request

P in connection with weight = with pushed trolley

G in connection with weight = with geared trolley



Model Yalelift LHP, 500 - 3000 kg, single fall

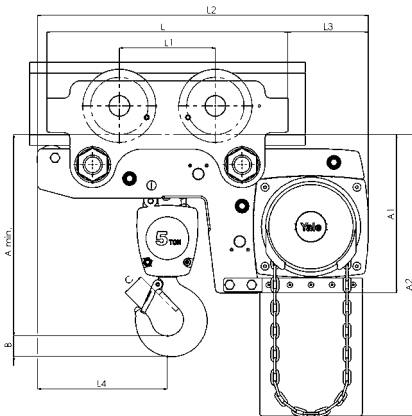


Model Yalelift LHG, 500 - 3000 kg, single fall

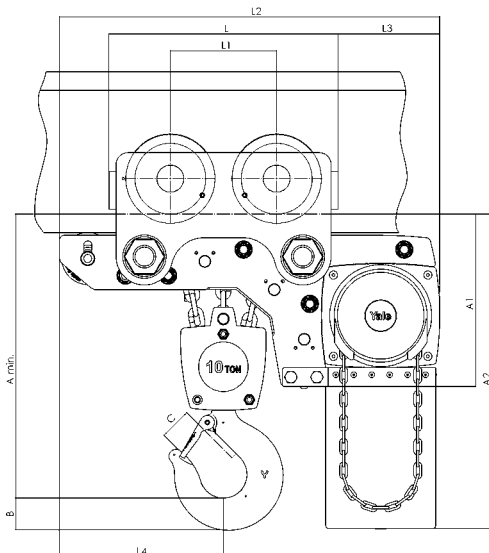
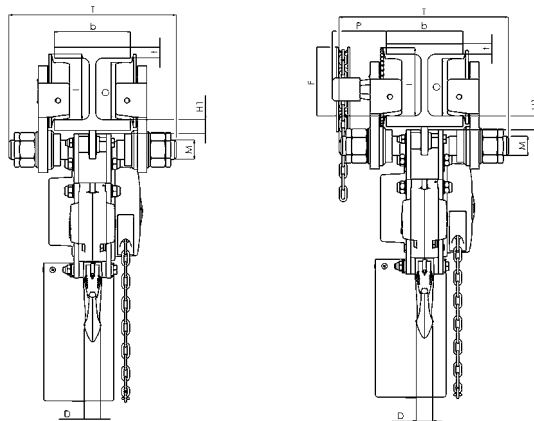
Yale hoists and trolleys are not designed for passenger elevation applications and must not be used for this purpose.

Dimensions model Yalelift LH

Model	YLLH 500	YLLH 1000	YLLH 2000	YLLH 3000	YLLH 5000	YLLH 10000
A min., mm	188	211	264	316	425	565
A1, mm	223	250	289	346	345	365
A2, mm	381	427	511	614	612	665
B, mm	17	22	30	38	45	68
C, mm	24	29	35	40	47	68
D, mm	14	19	22	30	37	50
F (Geared trolley), mm	92	92	91	107	150	150
H1, mm	24	24	24	32	31	45
I (Pushed trolley), mm	72	72	96	131	143	170
I (Geared trolley), mm	77	77	98	133	149	170
L, mm	270	310	360	445	525	485
L1, mm	130	130	150	180	209	225
L2, mm	444	488	582	690	720	805
L3, mm	124	135	172	203	175	215
L4, mm	184	201	230	265	283	348
M, mm	M18	M22	M27	M30	M42	M48
O, mm	60	60	80	112	125	150
P (Geared trolley), mm	108	110	112	112	117	165
T (Area A), mm	280	290	305	320	364	440
T (Area B), mm	400	410	425	440	484	540



Model Yalelift LHP/LHG, 5000 kg, double fall



Model Yalelift LHG, 10000 kg, three fall

