

VSIII 'MEDIUM DUTY' HAND CHAIN HOISTS

**vsplus and vsIII spare parts are on pages 186-200*

Hand chain hoist model VSIII

Capacities: 250 - 5000kg

The newly designed hand chain hoist VSIII is an innovative further development introduced by Yale. The improved hand chain guide prevents tilting or jamming of the hand chain, leading to a smooth running of the chain.

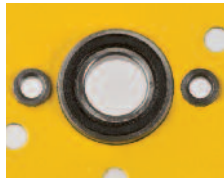
High quality bearings on side plates, gearbox and load chain sheave ensure smooth operation of load chain and drive pinion. Optimised hand forces set standards for easy operation.

Features include:

- High quality bearings for gearbox, side plates and load chain sheave for long service life.
- Zinc-plated brake parts & guide rollers ensure increased corrosion protection.
- Load chain is zinc-plated as standard for added corrosion protection.



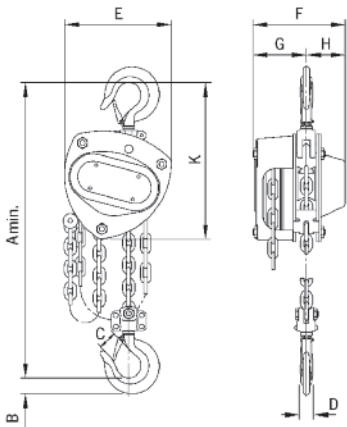
Load chain sheave with needle bearing



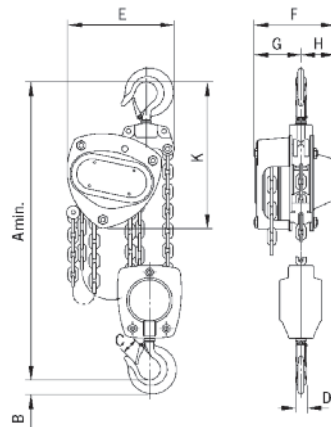
Side plate with ball bearing



Housing cover with ball bearing



Model VSIII, 250 - 3000kgs, single fall



Model VSIII, 2000 - 5000kgs, double fall



Model	Chain dimension mm	Technical specification								
		A (min) mm	B mm	C mm	D mm	E mm	F mm	G mm	H mm	K mm
VSIII 0.25/1	4 x 12	290	12	26	11	118	113	65	48	190
VSIII 0.5/1	5 x 15	350	21	23	16	145	140	80	60	240
VSIII 1.0/1	6 x 18	380	28	27	20	158	155	87	68	270
VSIII 2.0/1	8 x 24	460	36	35	29	205	180	94	86	320
VSIII 2.0/2	6 x 18	490	36	35	29	170	155	87	68	285
VSIII 3.0/1	10 x 30	570	45	40	29	240	210	110	100	370
VSIII 3.0/2	8 x 24	580	45	40	29	220	175	94	81	340
VSIII 5.0/2	10 x 30	700	47	45	40	250	190	95	95	410

Model	Capacity (WLL) kg	Falls of load chain	Standard lift height mtr	Weight at std HOL kg	Standard unit £	Additional HOL £/mtr	to suit hol mtr	Chain containers part no.	price £
VSIII 0.25/1	250	1	3	3.9	£122	£19	-	-	-
VSIII 0.5/1	500	1	3	9.0	£128	£21	12	04100014	£60
VSIII 1.0/1	1000	1	3	11.5	£150	£21	12	04100015	£68
VSIII 2.0/1	2000	1	3	19.0	£224	£24	12	04100016	£81
VSIII 2.0/2	2000	2	3	17.3	£214	£32	6	04100015	£68
VSIII 3.0/1	3000	1	3	31.0	£307	£30	10/20	04100017/8	£98/£110
VSIII 3.0/2	3000	2	3	27.0	£294	£38	6	04100016	£81
VSIII 5.0/2	5000	2	3	43.0	£430	£50	5/10	04100017/8	£98/£110



Hand chain hoist model Towerlift

Capacity 1000 - 2000 kg

The Towerlift is the inverted version of the Yalelift 360 and specifically designed for operation on traversing tower systems.

Features

- The unit is provided with a special chain guide and a totally enclosed housing.
- The basic version of the Towerlift offers capacities of 1000 kg and 2000 kg.
- Black powder coat finish as standard.
- Alloyed steel link chain with zinc-plated resp. yellow chromated finish, in accordance with national and international standards and regulations.

Options

- Adjustable overload prevention device.
- Stainless steel load and hand chains.
- Chain container

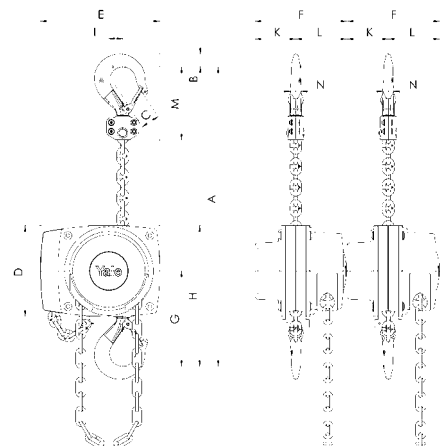
! Different colours, capacities and lifting heights are available on request.

Technical data model Towerlift

Model	EAN-No. 4025092*	Capacity kg	Number of chain falls	Chain dimensions d x p mm	Lift per 1 m hand chain overhaul mm	Pull on hand chain at WLL daN	Weight at standard lift (3 m) kg
Towerlift 1000	*079815	1000	1	6x18	20	30	14
Towerlift 2000	*079822	2000	1	8x24	14	32	21

Dimensions model Towerlift

Model	Towerlift 1000	Towerlift 2000
A min., mm	335	395
B, mm	22	30
C, mm	29	35
D, mm	156	182
E, mm	205	243
F, mm	167	194
G, mm	164	192
H, mm	242	283
I, mm	24	31
K, mm	70	83
L, mm	97	111
M, mm	125	156
N, mm	19	22



Hand chain hoist model Compact

Capacity 500 - 5000 kg

The Compact is designed and built for quality and safe, efficient operation. The arrangement of the spur gear drive allows a compact unit with very small dimensions. A lightweight hoist with low maintenance – and at economical price.

Features

- Low headroom permits optimal usage of available space.
- Two guide rollers and a heat treated load sheave with 4 precision machined chain pockets ensure smooth operation of the chain.
- The construction prevents a blocking and slipping of the hand chain.
- Roller and ball bearings at all rotating parts reduce friction loss and increase smooth operation and efficiency.
- Zinc-plated load chain as standard for added corrosion protection.
- Drop forged suspension and load hooks are made from non-aging, high tensile steel and fitted with robust safety latches.

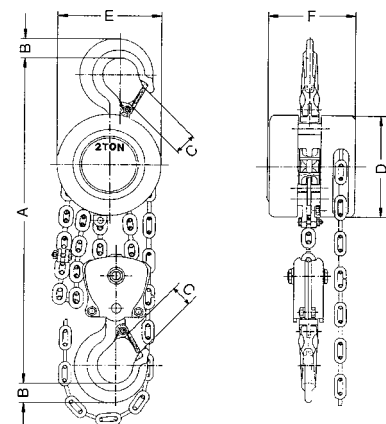


Technical data model Compact

Model	EAN-No. 4025092*	Capacity in kg/ number of chain falls	Chain dimensions d x p mm	Pull on hand chain at WLL daN	Weight at standard lift (3 m) kg
Compact 500	*062053	500/1	6 x 18	26	8.7
Compact 1000	*062060	1000/1	6 x 18	36	10.6
Compact 2000	*062077	2000/2	6 x 18	37	15.0
Compact 3000	*062084	3000/2	8 x 24	41	23.4
Compact 5000	*062091	5000/2	10 x 30	44	37.5

Dimensions model Compact

Model	Compact 500	Compact 1000	Compact 2000	Compact 3000	Compact 5000
A, mm	289	334	413	524	610
B, mm	16	21	27	35	45
C, mm	22	27	30	37	46
D, mm	120	142	142	178	210
E, mm	120	142	142	178	210
F, mm	106	122	122	139	162



Model Compact, 500 - 5000 kg, double fall



Hand chain hoist model VSIII

Capacity 250 - 5000 kg

The newly designed hand chain hoist VSIII is an innovative further development introduced by Yale. The improved hand chain guide prevents canting or jamming of the hand chain, leading to a smooth running of the chain. High quality bearings on side plates, gearbox and load chain sheave ensure smooth operation of load chain and drive pinion.

Optimized hand forces set standards for easy operation.

Features

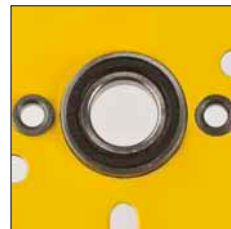
- Strong bolts between side plates and housing cover and the reinforced hand wheel cover ensure increased stability.
- Precision machined guide rollers ensure smooth running of the load chain.
- High quality bearings for gearbox, side plates and load chain sheave permit a long service life.
- Zinc-plated and yellow-chromated brake parts and guide rollers ensure increased corrosion protection.
- Zinc-plated load chain as standard for added corrosion protection.

Options

- Overload prevention device
- Chain container



Load chain sheave with needle bearing



Side plate with ball bearing



Housing cover with ball bearing

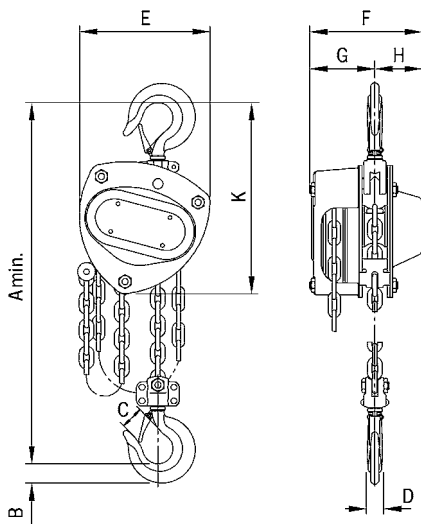
! Yale hoists and trolleys are not designed for passenger elevation applications and must not be used for this purpose.

Technical data model VSIII

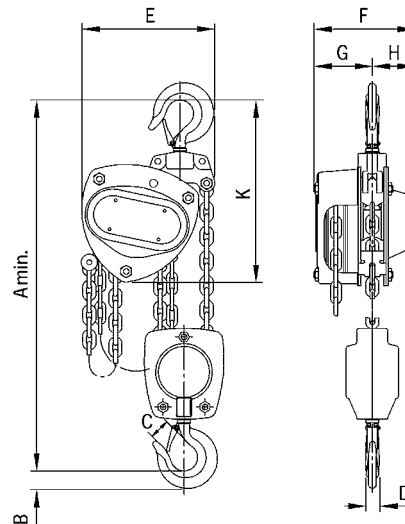
Model	EAN-No. 4025092*	Capacity in kg/ number of chain falls	Chain dimensions d x p mm	Lift per 1 m hand chain overhaul mm	Pull on hand chain at WLL daN	Weight at standard lift (3 m) kg
VSIII 0,25/1	*665322	250/1	4x12	50	20	3.9
VSIII 0,5/1	*949545	500/1	5x15	26	21	9.0
VSIII 1,0/1	*949927	1000/1	6x18	24	24	11.5
VSIII 1,5/1	*593854	1500/1	8x24	17	30	17.5
VSIII 2,0/1	*949934	2000/1	8x24	19	32	19.0
VSIII 2,0/2	*949941	2000/2	6x18	15	29	17.3
VSIII 3,0/1	*949958	3000/1	10x30	12	40	31.0
VSIII 3,0/2	*949965	3000/2	8x24	10	37	27.0
VSIII 5,0/2	*949972	5000/2	10x30	8	41	43.0

Dimensions model VSIII

Model	VSIII 0,25/1	VSIII 0,5/1	VSIII 1,0/1	VSIII 1,5/1	VSIII 2,0/1	VSIII 2,0/2	VSIII 3,0/1	VSIII 3,0/2	VSIII 5,0/2
A min., mm	290	350	380	450	460	490	570	580	700
B, mm	12	21	28	33	36	36	45	45	47
C, mm	26	23	27	36	35	35	40	40	45
D, mm	11	16	20	22	29	29	29	29	40
E, mm	118	145	158	180	205	170	240	220	250
F, mm	113	140	155	175	180	155	210	175	190
G, mm	65	80	87	85	94	87	110	94	95
H, mm	48	60	68	90	86	68	100	81	95
K, mm	190	240	270	300	320	285	370	340	410



Model VSIII, 250 - 3000 kg, single fall



Model VSIII, 2000 - 5000 kg, double fall



Option: Chain container