

STANDARD HAND PALLET TRUCKS

Pfaff 'Silverline' Standard hand pallet trucks Lifting capacity 2500kg



Pfaff's range of hand pallet trucks have gained an enviable reputation for strength, quality & durability. All Pfaff trucks have a high-quality epoxy coating, a comfortable ergonomic handle which can be turned on 210° to the left and right side and can be supplied with varied steering / load wheel combinations.

We can offer two fork sizes in our Silverline (best seller) ranges to suit both the standard Euro and GKN pallet sizes.

Features and benefits include:

- Smooth and quiet motion due to the use of rubber rollers.
- Easy handling as the handle is released from the hydraulic system to the neutral position.
- Precisely adjustable pressure control valve to prevent damage from overloading.
- One-hand control for controlling all functions such as lifting, transporting and lowering.
- Ergonomic handlebar.
- Specially hardened axles, maintenance-free bearings and hard chrome-plated piston rods.
- Precision lowering valve to enable you to adjust the lowering speed to your requirements.



Available in
explosion proof
version!



High quality rod assembly and lever giving controlled lifting and lowering

Double coated chrome piston with high quality seals reduce effort at maximum load

Investment casting with integrated oil reservoir. Increased safety with spring guard

High quality construction

Epoxy coated finish

210° steering left and right

Rubber wheels as standard although other options are available

Robust design with reinforced frame for greater strength

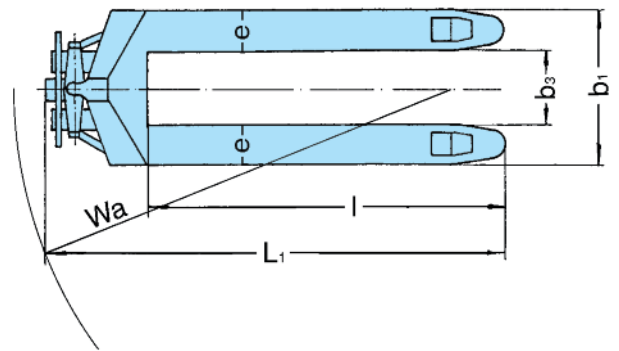
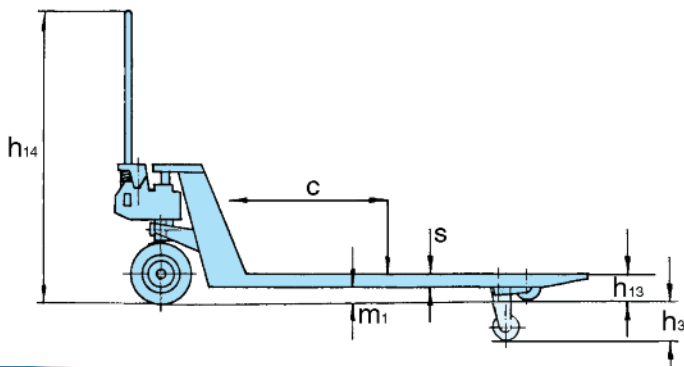
STANDARD HAND PALLET TRUCKS

BEST SELLER

Type			'Standard forks'	'Wide forks'
Article no. for individual built up units			N21225461	N21225457
Article no. per unit, when flat packed in a crate			N21225461X	N21225457X
Lifting capacity	tonne	-	2.5	2.5
Steering/load wheels*	-	-	SR / PUR	SR / PUR
Wheel size (front)	mm	-	200 x 50	200 x 50
Load wheel size (rear)	mm	-	80 x 70	80 x 70
Number of wheels front/rear	-	-	2 / 4	2 / 4
Lifting height	mm	h^3	115	115
Load centre	mm	c	600	600
Height of steering handle	mm	h^{14}	1230	1230
Fork height when lowered	mm	h^{13}	85	85
Total unit length	mm	L^1	1555	1555
Useable fork length	mm	l	1150	1150
Fork width	mm	e	160	160
Fork thickness	mm	s	48	48
Inside of forks	mm	b^3	220	365
Outside fork width	mm	b^1	540	685
Floor/ground clearance	mm	m^1	37	37
Weight	kg	-	68	73
* Price each when purchased individually	£		£326	£349
Price each, for a flat pack of 6	£		£296	£319



*Solid rubber (SR), Polyamide (PA), Polyurethane (PUR).



Reinforced pallet entry rollers.

Tandem rollers as standard.

SPARES
* See pages 242-243. for pallet truck spare parts.

**Hand pallet truck
model HU 25-115 TS
SILVERLINE (Tandem rollers)**

**model HU 25-115 ES
SILVERLINE (Single rollers)**

Capacity 2500 kg

For the professional transportation of palletised goods and box pallets under demanding conditions.

Features

- Ergonomic safety control handle for one-hand operation of lifting, driving and lowering.
- Ergonomic rubber control handle for safe handling.
- Low maintenance hydraulic pump with hard chromium plated piston.
- Frame and forks in robust steel construction, adjustable connecting rods, especially hardened axles and the high quality powder coating ensure a long life expectancy.



Option: Parking brake

Technical data model HU 25-115 TS SILVERLINE and model HU 25-115 ES SILVERLINE

Model	HU 25-115 TS	HU 25-115 TS	HU 25-115 TS	HU 25-115 TS	HU 25-115 TS	HU 25-115 ES
Art.-No.	034527100	034527101	034527108	034527130	034527184	034527106
Capacity, kg	2500	2500	2500	2500	2500	2500
Load center c, mm	600	600	600	600	600	600
Weight, kg	75	79	79	68	68	84
Tyre type*	VG/PA	VG/PUR	PUR/PUR	PA/PA	PUR/PA	VG/PUR
Steering rollers, mm	200x50	200x50	200x50	200x50	200x50	200x50
Load rollers, mm	82x70	82x70	82x70	80x70	80x70	82x93
Number of wheels/load rollers	2/4	2/4	2/4	2/4	2/4	2/2
Stroke h3, mm	115	115	115	115	115	115
Height of control handle h14, mm	1200	1200	1200	1200	1200	1200
Fork height lowered h13, mm	85	85	85	85	85	85
Overall length L1, mm	1535	1535	1535	1535	1535	1535
Fork height s, mm	45	45	45	45	45	45
Fork width e, mm	160	160	160	160	160	160
Fork length l, mm	1150	1150	1150	1150	1150	1150
Outside dimension of forks b1, mm	540	540	540	540	540	540
Inside dimension of forks b3, mm	220	220	220	220	220	220
Ground clearance m1, mm	40	40	40	40	40	40
Aisle width pallet Ast, mm	1815	1815	1815	1815	1815	1815
Turning circle radius Wa, mm	1330	1330	1330	1330	1330	1330

*PA... Polyamidee, PUR... Polyurethane, VG... Solid rubber