

CZ 'HEAVY DUTY' VERTICAL PLATE CLAMPS

Heavy duty plate clamps with safety lock

Working load limit (WLL) 1000 - 30000kg



These clamps are primarily used for transporting sheet metal and steel plates in the vertical position, as well as lifting and rotating through 180°.

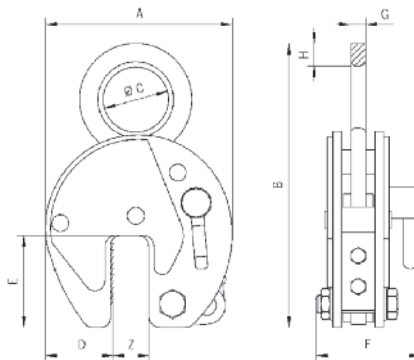
They can also be used for transporting steel constructions and profiles. It is recommended to use a pair of plate clamps in conjunction with a spreader beam for long materials which have a tendency to sag or flex.

Function

The jaw is opened and closed with the locking lever. The safety lock spring loads the cam jaw, preventing the clamp from opening even when there is no load.

Workmanship and parts

These plate clamps are service-friendly, making it easy to exchange parts, which are readily available. Clamp repairs are available through the factory, or can be done by a competent person.



NB: The plate surface of the material must have a hardness level below HRC 30/Brinell 300.

Model	WLL kg*	Jaw (Z) capacity mm	A mm	B mm	C mm	D mm	E mm	F mm	G mm	H mm	Weight kg**	STD Price with hook £*	Price with link £*	Price link/chain £*
CZ 1	100 - 1000	0 - 20	140	254	51	48	70	83	13	19	4	£157	£157	£215
CZ1L	100 - 1000	20 - 40	161	260	51	48	70	83	20	19	5	£194	£194	£254
CZ 2	200 - 2000	0 - 32	197	323	67	68	93	110	20	20	11	£234	£234	£315
CZ 2L	200 - 2000	30 - 60	228	330	67	68	93	110	20	20	13	£274	£274	£354
CZ 3	300 - 3000	0 - 32	197	371	80	68	93	110	20	30	12	£293	£293	£365
CZ 3L	300 - 3000	30 - 60	228	390	80	68	93	110	20	30	15	£321	£321	£403
CZ4	500 - 4000	0 - 32	197	371	80	68	93	129	20	30	12	£307	£307	£388
CZ 4L	500 - 4000	30 - 60	228	390	80	68	93	129	20	30	18	£353	£353	£434
CZ 6	700 - 6000	0 - 50	293	484	89	95	143	129	25	35	21	£370	£370	£468
CZ 6L	700 - 6000	50 - 100	362	524	89	95	143	129	25	35	28	£430	£430	£493
CZ 8	950 - 8000	0 - 50	293	492	89	95	143	129	25	42	26	£406	£406	N/A
CZ 8L	950 - 8000	50 - 100	362	524	89	114	143	129	25	42	32	£533	£533	N/A
CZ 10	1500 - 10000	0 - 50	293	545	110	95	143	139	25	45	30	£558	£558	N/A
CZ 10L	1500 - 10000	50 - 100	362	545	110	114	143	139	25	45	37	£734	£734	N/A
CZ 12	1800 - 12000	0 - 50	360	613	130	125	162	154	30	55	54	£707	£707	N/A
CZ 12L	1800 - 12000	50 - 100	460	678	130	175	162	154	30	55	63	£882	£882	N/A
CZ 15	3000 - 15000	0 - 50	360	613	130	125	162	204	45	55	75	£1215	£1215	N/A
CZ 15L	3000 - 15000	50 - 100	460	678	130	175	162	204	45	55	88	£1397	£1397	N/A
CZ 20	4000 - 20000	0 - 65	462	755	130	165	210	235	45	65	123	£1946	£1946	N/A
CZ 20L	4000 - 20000	65 - 130	560	805	130	195	210	235	45	65	136	£2225	£2225	N/A
CZ 30	6000 - 30000	0 - 65	462	732	60	165	210	295	65	-	195	N/A	£2739	N/A
CZ 30L	6000 - 30000	65 - 130	560	797	60	195	210	295	65	-	295	N/A	£3158	N/A

PLEASE NOTE: Units are supplied as standard with a hook ring. Link fitting and chain are available on request as a special order. Also available with 'Sharp Leg' body shell or extra thick shell plates for dragging. Please contact sales team for further details and prices. *Per clamp. **Weight per clamp with hook ring.

*** Spare parts for the CZ plate clamps are shown on page 239**