

92 SERIES VERTICAL PLATE CLAMPS



Standard plate clamps with safety lock

Working load limit (WLL) 500 - 3000kg

These clamps are primarily used for transporting sheet metal and steel plates in the vertical position, as well as lifting and rotating through 180°.

They can also be used for transporting steel constructions and profiles. It is recommended to use a pair of plate clamps in conjunction with a spreader beam for long materials which have a tendency to sag or flex.

Function

The jaw is opened and closed with the locking lever except for the 92-500 which uses a positive spring-loaded cam.

The safety lock spring loads the cam jaw, preventing the clamp from opening even when there is no load on the jaw.

Workmanship and parts

These plate clamps are service-friendly, making it easy to exchange parts, which are readily available. Clamp repairs are available through the factory, or can be done by a competent person.

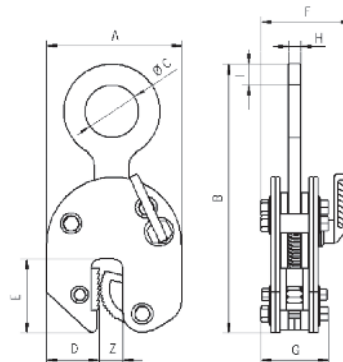


NB: The plate surface of the material must have a hardness level below HRC 30/Brinell 300.

** Spare parts for the 92 Series plate clamps are shown on page 238*

| Model | WLL kg* | Jaw (Z) capacity mm | A mm | B mm | C mm | D mm | E mm | F mm | G mm | H mm | I mm | Weight kg** | STD Price with hook £* | Price with link £* | Price link & chain £* |
|---------|------------|---------------------|------|------|------|------|------|------|------|------|------|-------------|------------------------|--------------------|-----------------------|
| 92-500 | 50 - 500 | 0 - 16 | 99 | 195 | 29 | 33 | 47 | 50 | 48 | 11 | 15 | 1.5 | £134 | N/A | N/A |
| 92-1500 | 100 - 1500 | 0 - 20 | 126 | 225 | 50 | 49 | 70 | 82 | 55 | 13 | 20 | 3.0 | £157 | £157 | £215 |
| 92-2000 | 200 - 2000 | 0 - 32 | 192 | 312 | 80 | 75 | 96 | 100 | 81 | 20 | 24 | 8 | £200 | £200 | £315 |
| 92-3000 | 300 - 3000 | 0 - 32 | 192 | 320 | 80 | 75 | 96 | 100 | 81 | 30 | 30 | 12 | £293 | £293 | £365 |

PLEASE NOTE: Units are supplied as standard with a hook ring. Link fitting and chain are available on request as a special order.
 *Per clamp. **Weight per clamp with hook ring.



92 Series plate clamps.
Working load limit 500 - 3000kg